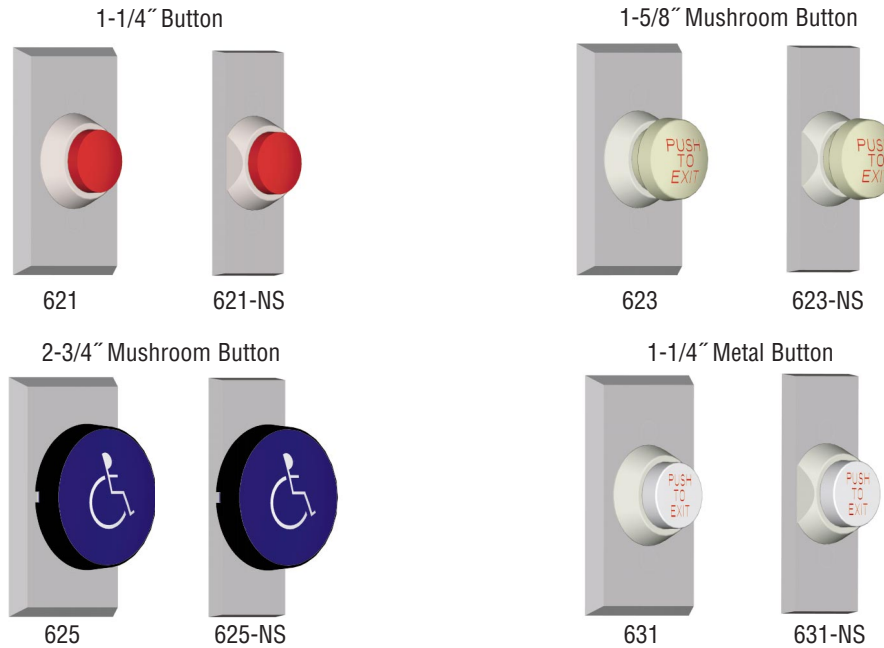


LOCKNETICS®



Locknetics 620 Series Pushbuttons offer significant installer-friendly innovations: screw terminal connections for the momentary action models, easy to install L2/ILL optional PC board offering backlit illumination for the button as well as green and red leds for monitoring purposes. Additional options include: Delayed Action, Double Pole Double Throw, Heavy Duty Plate, and several architectural finishes. Alternate Action and Narrow Stile configurations are available. The 620 Series Pushbuttons is available in three sizes: 1-1/4", 1-5/8" Mushroom and 2-3/4" Mushroom. New to the pushbutton color choices is the Glow-in-the-Dark (GID), which is offered across the line. There are two metal 1-1/4" button choices as well. The 620 Series replaces the 703, 704, 705 products and 600 Series Pushbuttons previously offered from Locknetics.

Select Pushbutton



Select Button Option

| | GID-EX | GID-H | GID | RD-EX | RD | GR-EX | GR | BL-H | BK |
|-----------------|--------------|-------|-----|--------------|----|--------------|----|------|----|
| 621 621 - NS | PUSH TO EXIT | | | PUSH TO EXIT | | PUSH TO EXIT | | | |
| 623 623 - NS | PUSH TO EXIT | | | PUSH TO EXIT | | PUSH TO EXIT | | | |
| 625 625 - NS | PUSH TO EXIT | | | PUSH TO EXIT | | PUSH TO EXIT | | | |
| 621 621 - NS | AL-EX | AL | | | | | | | |
| 631 631 - NS | PUSH TO EXIT | | | | | | | | |

Contact ratings:

- _____ : 5 amp @ 250VAC, NO and NC contacts
- _____ : 6 amp @ 125VAC, NO and NC contacts
- _____ : 10 amp @ 250VAC, NO and NC contacts

Red or Green LED's, 12 and 24 volts AC or DC

Momentary action: standard

Alternate action: optional

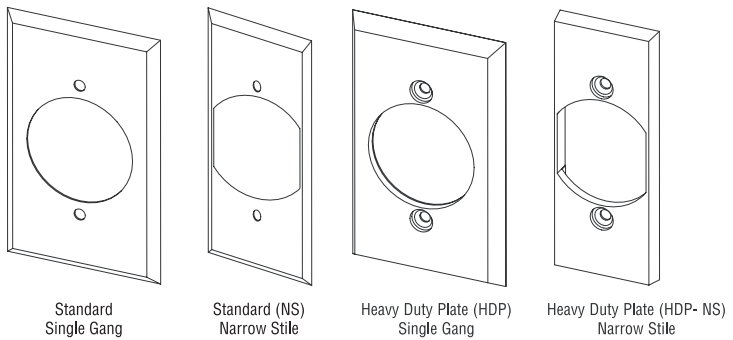
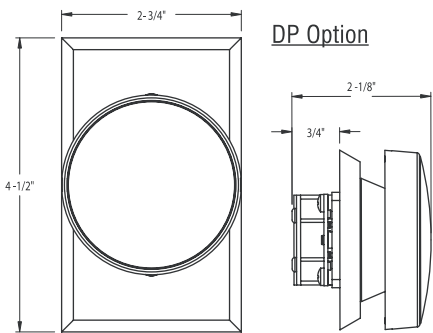
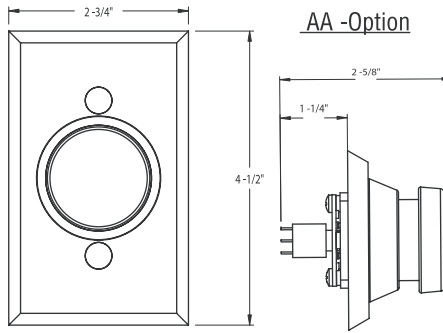
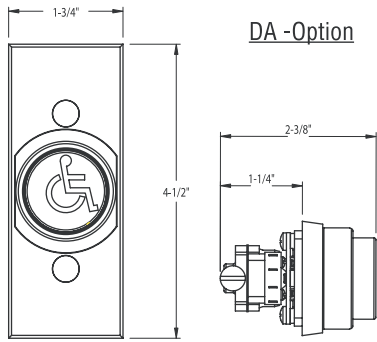
Cover Plate: Stainless steel



LOCKNETICS®

Select Options

- DA Delayed Action
- AA Alternate Action/Maintained
- DP Double Pole Double Throw
- L2/ILL 3 LEDs -green/yellow/red concealed within opaque cone
- HDP Heavy Duty Plate 1-1/4" thick Cast Zinc (Standard - 626 Satin Chrome Finish)



NOTE: Single pull (SPDT) standard dimensions featured above - DP Option.

| 600 Series Cross Reference to NEW 620-630 Series Pushbuttons | |
|---|----------------------|
| 600 Series | New 620 & 630 Series |
| 601/602 | 621/621-NS |
| 603/604 | 623/623-NS |
| 605 | 625 |
| 631/632 | 631/632-NS |
| 701/702 | 701/701-NS |
| 703/704 | 623/623-NS |
| 705 | 625 |
| 709 | 709 |

Select Special Finishes Includes Heavy Duty Plate (HDP)

- SF-605 Bright Brass
- SF-612 Satin Bronze
- SF-613 Oil Rubbed Bronze
- SF-625 Bright Chrome
- SF-626 Satin Chrome (standard)
- SF-1 White Powder Coat
- SF-2 Black Powder Coat



LOCKNETICS
 575 Birch Street
 Forestville, CT 06010
 860-584-9158 phone
 860-584-2136 fax
 www.locknetics.com
 www.irsecurityandsafety
 An **IR Ingersoll-Rand** business