

# LOCKNETICS®

## **New** 650 Series Heavy Duty Keyswitch

Locknetics 650 Series Keyswitches utilize an innovative magnetic spring design which allows installers to configure both clockwise and counterclockwise key turn direction, as well as, momentary or maintained action in seconds. Single gang and narrow stiles are available with numerous options which include: Heavy Duty Plate, Weather Resistant Cover (single gang size only), 2 LED lights - green/red, Anti-Tamper Switch and Schlage Everest Cylinder. In addition to the standard (626) Satin Chrome finish there are six additional architectural finishes to choose from. The 650 series replaces the 640 and 750 series keyswitches previously offered from Locknetics.



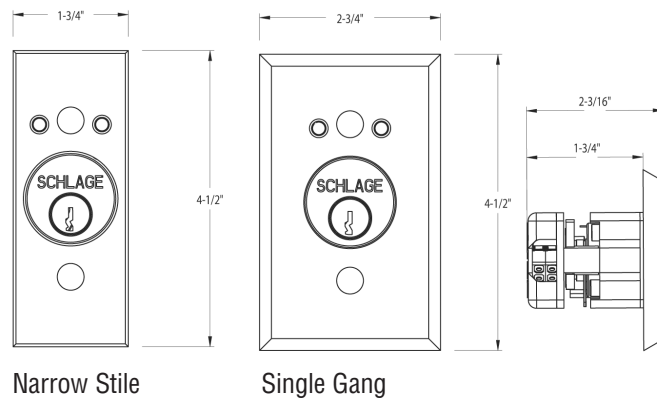
653 (Single Gang)



653-NS (Narrow Stile)

### Select Keyswitch

- 653-04 SPDT maintained single direction
- 653-05 SPDT momentary single direction
- 653-14 DPDT maintained single direction
- 653-15 DPDT momentary single direction
- 653-1414 (2) DPDT maintained bi-direction
- 653-1415 DPDT momentary x DPDT momentary
- 653-1515 (2) DPDT momentary bi-position
- 653-041 SPDT maintained x key remove one position
- 653-0404 (2) SPDT maintained bi-direction
- 653-0405 SPDT maintained x SPDT momentary
- 653-141 DPDT maintained x key remove one position
- 653-0505 (2) SPDT momentary bi-direction



Narrow Stile

Single Gang

Specifications: 5 AMP @ 250VAC, dual voltage, SPDT contacts

### Select Special Finish - Includes Heavy Duty Plate (HDP)

- SF-625 Bright Chrome
- SF-626 Satin Chrome (standard)
- SF-612 Satin Bronze
- SF-613 Oil Rubbed Bronze
- SF-605 Bright Brass
- SF-1 White Powder Coat
- SF-2 Black Powder Coat

# LOCKNETICS®

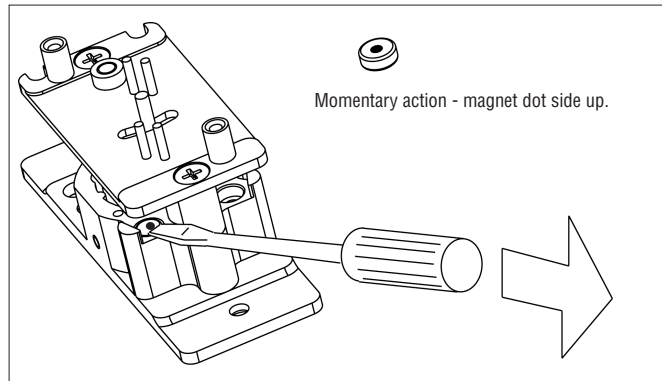
## Select Options

- L2 Two LEDs green and red
- NS Narrow Stile
- ATS Anti-Tamper Switch
- HDP Heavy Duty Plate 1/4" thick cast zinc (standard 626 Satin Chrome Finish)
- WP Weather Resistant Cover (not available with 1-1/4" cylinder)
- CYL 1-1/4" Schlage Everest Mortise Cylinder & 1/8" spacer ring (keyed different)
- CYL-KA 1-1/4" Schlage Everest Mortise Cylinder & 1/8" spacer ring (keyed alike)

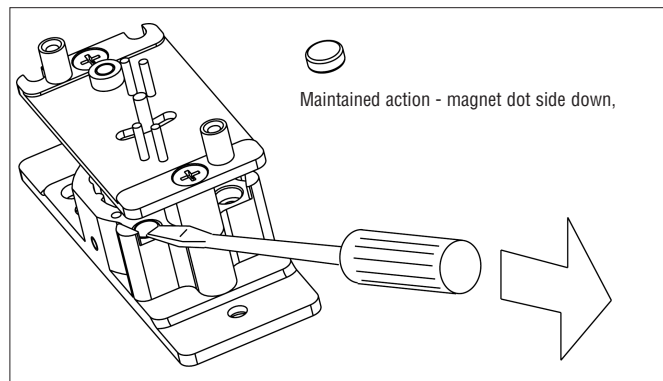
650 Series Keyswitch operate with either a 1-1/8" or 1-1/4" cylinder having a straight type cam. 1-1/4" cylinders require a 1/8" blocking/spacer ring (included with the CYL and CYL-KA options)

**New** Innovative magnetic spring technology allows installers to configure models in seconds

### Momentary Action



### Maintained Action



### 640-750 Series Cross Reference to NEW 650 Series Keyswitches

640 Series	750 Series	New 650 Series
643-04/644-04	753-04/754-04	<b>653-04/653-04-NS</b>
643-05/644-05	753-05/754-05	<b>653-05/653-05-NS</b>
643-14/644-14	753-14/754-14	<b>653-14/653-14-NS</b>
643-15/64-15	753-15/754-15	<b>653-15/653-15-NS</b>
643-1414/644-1414		<b>653-1414/653-1414-NS</b>
643-1415/644-1415		<b>653-1415/653-1415-NS</b>
643-1515/644-1515		<b>653-1515/653-1515-NS</b>
643-041/644-041		<b>653-041/653-041-NS</b>
643-0404/644-0404		<b>653-0404/653-0404-NS</b>
643-0405/644-0405		<b>653-0405/653-0405-NS</b>
643-141/644-141		<b>653-141/653-141-NS</b>
643-0505/644-0505		<b>653-0505/653-0505-NS</b>
DA645 Discontinued		



### LOCKNETICS

575 Birch Street  
 Forestville, CT 06010  
 860-584-9158 phone  
 860-584-2136 fax  
[www.locknetics.com](http://www.locknetics.com)  
[www.irsecurityandsafety.com](http://www.irsecurityandsafety.com)