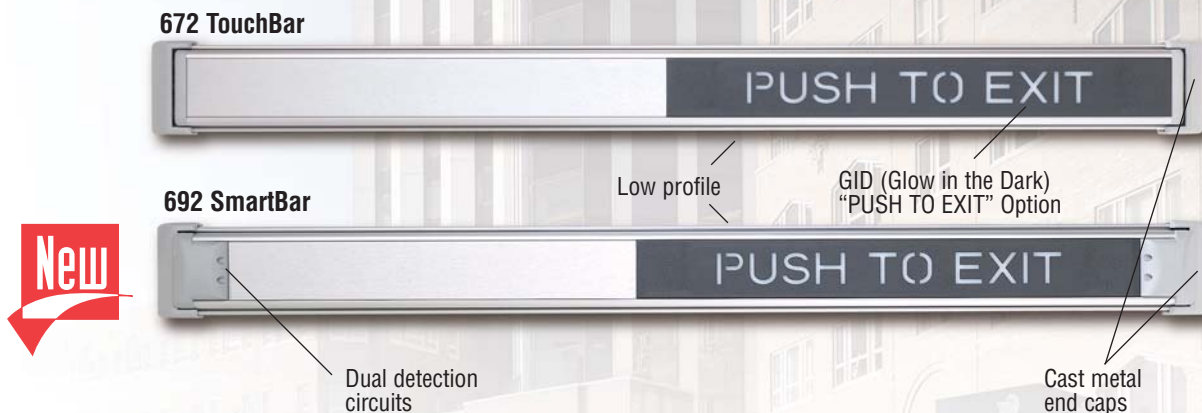


# LOCKNETICS®

## REX Bars - REQUEST TO EXIT



### FEATURES AND BENEFITS

#### REX Bars

- Heavy duty aluminum extrusion with cast metal end caps - Maximum durability
- Field reversible, field sized
- Quick install brackets / Universal mounting system for aluminum, hollow metal and wood doors
- Low profile for greater clearance through door
- "PUSH TO EXIT" signage designates opening
- GID (Glow in the Dark) "PUSH TO EXIT" option - Locknetics exclusive

#### 692 SmartBar

The 692 SmartBar is an electronic switching device with no moving parts, which serves as a non-latching request to exit bar at an egress door. It allows one motion egress at doors equipped with electromagnetic or electronic locks, with "no prior knowledge" required by the user. Touching the Smartbar at any point on the bar activates internal circuitry which controls power to the locking device. No moving parts results in low maintenance and long life.

The 692 SmartBar provides two directionally opposed infrared detection circuits to sense an exit request. As a person touches the bar the light beam is broken. The patent pending redundant system provides a high level of life safety and peace of mind to the end user.

An audible alarm is standard. This feature provides a security alarm to alert when there is a prolonged unlocked condition caused by a continued break in the light beam. This feature is desirable in applications requiring monitoring of security conditions or delayed egress.

- Dual infrared detection circuits – patent pending
- No Moving Parts - One Motion Egress
- Audible alarm standard, alerts prolonged unlock condition
- DPDT relay standard - signals access control panel or auxiliary device

#### 672 TouchBar

The 672 TouchBar is a request to exit device which releases electromagnetic or electronic locks when the bar is depressed. Designed for easy installation, smooth operation and maximum durability, the 672 TouchBar offers unmatched features and customer benefits.

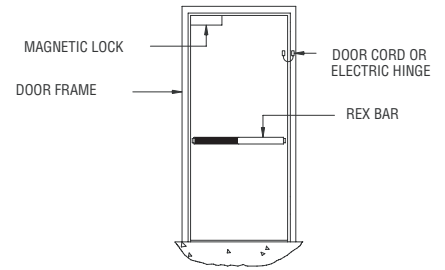
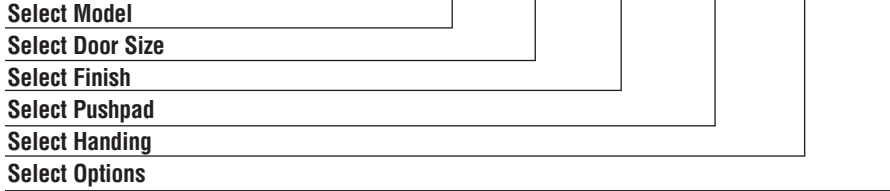
The "Push to Exit" signage provides an obvious exit indication for building occupants and the simplified design allows for reversing the signage in the field. The new pivoting bar design allows 1/4" activation and the 2 1/4" low profile provides ample clearance through the door - notably less than others in the industry.

The device's rugged cast ramped end caps deflect blows and provide extra durability. With its easy installation and wiring the 672 TouchBar Request to Exit Device is another solution in the Locknetics product offering.

- 1/4" Movement activates immediate release
- Optional lighted "PUSH TO EXIT"
- SPDT standard
- DPDT available for monitoring purposes

# How To Order

672 – 36 – 628 – WH – RHR – DP



## 1. Select Model

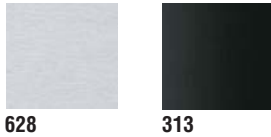
- 672 for aluminum, hollow metal and wood doors
- 692 for aluminum, hollow metal and wood doors

## 2. Select Door Size

- 36"
- 42"
- 48"
- SP-X" (X"= door width from 26" to 48")

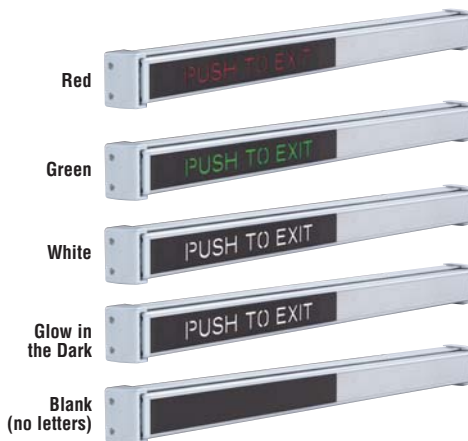
## 3. Select Finish

- 628 Satin Anodized Aluminum
- 313 Dark Satin Bronze Anodized Aluminum



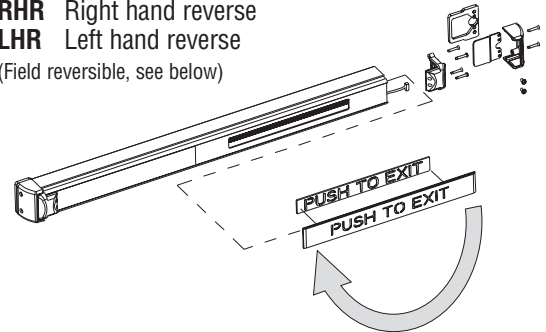
## 4. Select Pushpad

- RD Black with red "PUSH TO EXIT"
- GR Black with green "PUSH TO EXIT"
- WH Black with white "PUSH TO EXIT"
- BL Black/blank
- BRG Black with back lit "PUSH TO EXIT" red turns to green with activation
- GID Black with Glow in the Dark "PUSH TO EXIT"



## 5. Select Handing

- RHR Right hand reverse
- LHR Left hand reverse
- (Field reversible, see below)



### Reversing the "PUSH TO EXIT" sign - Field Handing

Remove End Cap(s) and Beam housing (692) or Pushpad End (672). Remove "PUSH TO EXIT" Sign. Reverse Switch position and Circuit Board (only with BRG option). Rotate "PUSH TO EXIT" sign and re-insert. Re-install beam housing and end cap(s).

## 6. Select Options

- DP Double pole, double throw switch (standard feature on 692 SmartBar)
- CA 16' cable, attached to device
- AR 12" or 18" armored door cord assembly (no wire)
- WD Sexnut Door Kit for heavy-duty wood door and hollow metal door applications

Note: Screw pack supplied has self-drilling and self-tapping screws for aluminum door and wood door applications; rivnuts for hollow metal door applications.

### 672 TouchBar Electrical Specifications:

- Input Voltage: 12 or 24 VDC maximum current draw .25 Amps
- Switch: SPDT contacts rated 3 Amps @ 30 VDC
- Wiring: 3 Conductor Cable - 20 AWG - 6 ft. long (standard)  
6 Conductor Cable - 20 AWG - 6 ft. long available with BRG option or DPDT option (Both cables provided with BRG/DPDT combination)

### 692 SmartBar Electrical Specifications:

- Input Voltage: 12 or 24 VDC maximum current draw .5 Amps
- Switch: DPDT contacts rated 4 Amps @ 30 VDC
- Wiring: 8 Conductor Cable - 20 AWG - 6ft. long (standard)



### LOCKNETICS

575 Birch Street  
Forestville, CT 06010  
866-322-1237 phone  
866-322-1233 fax  
www.locknetics.com  
www.irsecurityandsafety.com

An **IR** Ingersoll Rand business